



BEVIE

Electric Milk Frother Tumbler

TMF-300-BG

#IndulgeWithKITH

Welcome to KITH.

Thank you for entrusting us with your choice of innovative home products, designed to elevate ordinary moments into extraordinary ones. We hope this product brings you countless moments of happiness, fostering connections with family and friends, and making your life truly special.



TABLE OF CONTENTS

Introduction	4
Important	5-8
Product Overview	9-10
General Description	9
Technical Specifications	10
Using The Product	11-12
Before The First Use	11
Operating The Product	11
Operating Instructions	11-12
Cleaning & Maintenance	13
Environment	14
Customer Care	15

INTRODUCTION

We extend our heartfelt gratitude for choosing KITH. Your support means the world to us. A big Thank You from the entire team!

Introducing Bevie, the ultimate portable milk frother tumbler designed for your on-the-go lifestyle. With its innovative magnetic whisk, Bevie effortlessly froths milk, stirs drinks, and even boils water. Its lightweight, portable design, combined with a touch control panel and removable lid with sip closure, ensures convenience and ease of use.

To ensure you receive full support and benefits from KITH, we encourage you to register your product:

1. If you made your purchase from Casa e-Shop (shop.casa.sg), your warranty is automatically activated, and there's no need to register separately.
2. For purchases made from other retailers, registering your product is easy. Visit **shop.casa.sg/E-Warranty**
By registering your product, you'll have access to our warranty services and stay updated on any product-related information or offers.

IMPORTANT

Please read this important information carefully before using the appliance and save it for future reference.

DANGER:

- Before using the appliance, ensure that the power supply voltage matches the rated voltage of the product.
- Do not immerse the main body or base of the appliance in water or other liquids, to avoid electric shock.
- Do not insert foreign objects into any openings of the appliance to avoid electric shock or malfunction.
- Do not disassemble the appliance yourself to avoid accidents or further damage.
- If the appliance malfunctions or is damaged, stop using it immediately and contact the after-sales service center. For examination or repair, always take the appliance to a service center authorized by KITH. Do not attempt to repair the appliance yourself, as it will void the guarantee.

WARNING:

- The product is intended for use with the provided plug only. Use with any other plug may cause electric shock or injury.
- If the supply cord is damaged, it must be replaced by KITH, its service agent, or similarly qualified persons to avoid hazards.
- Only connect the appliance to an earthed wall socket and

- ensure that the plug is inserted properly.
- Place the appliance on a flat, dry, and stable surface during use.
 - Ensure that your hands are dry before operating the plug or switches, to prevent electric shock.
 - Do not use the appliance in humid environments such as bathrooms, as it may cause electrical leakage.
 - Do not use the appliance near flammable materials, explosive materials, or corrosive gases. If you need to move the product during operation, please handle it with care to avoid spills, burns, or other dangers.
 - Do not touch the heating part or other high-temperature parts directly during or after use to avoid burns.
 - When the appliance is working, do not leave it unattended. Ensure that children are supervised to prevent accidents. The heating function should not be left unattended.
 - This appliance can be used by children aged 12 years and above and persons with reduced physical, sensory, or mental capabilities or lack of experience and knowledge, provided they have been given supervision or instruction on using the appliance safely and understand the hazards involved.
 - Children should not play with the appliance. Cleaning and user maintenance should not be done by children unless they are older than 12 and supervised.
 - Keep the appliance and its cord out of the reach of children under 12 years.

CAUTION:

- This appliance is intended for normal household use only.
- For commercial usage, please contact KITH for special arrangement.
- When cleaning or not using the appliance, turn off the power and unplug it to prevent accidental activation.
- Do not use chemical solvents to clean the product. Use a damp cloth for cleaning and ensure it is thoroughly dried before reuse.
- If the appliance will not be used for an extended period, store it in a dry place and keep it away from children.
- Do not start the appliance without adding any ingredients to avoid dry burning, which may cause discoloration at the bottom and damage the product.
- This appliance can be used for frothing milk, heating water, and stirring instant beverages but do not place hard objects inside, as they may cause blockages and damage or danger.
- Always use the appliance with the lid on to avoid splashing and other dangers.
- When boiling water, do not exceed the maximum water level indicator, as boiling water may splash out and cause damage.
- Remove the magnetic whisk when boiling water to prevent high temperatures from reducing its magnetic properties.
- Boil water with the lid on and the sip closure open to avoid pressure buildup and potential danger.
- This appliance is not suitable for high-altitude areas, as it may

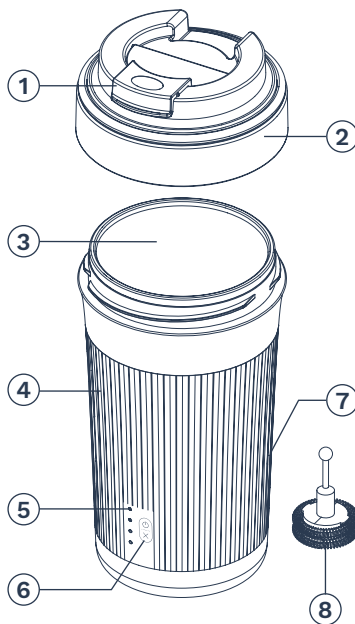
not automatically shut off after boiling.

- When frothing milk, do not exceed the maximum milk froth level, as overflowing may occur during frothing, causing danger.
- Using the appliance improperly, for professional or semi-professional purposes, or not following the instructions in the user manual will render the guarantee invalid, and KITH will not be liable for any damage caused.

PRODUCT OVERVIEW

General Description

1. Sip Closure
2. Tumbler Lid
3. Non-stick Inner Wall
4. Tumbler Body
5. Function Indicator Lights
6. Function Button (Start/Stop)
7. Power Port with Cover
8. Magnetic Whisk



*The images shown are for illustration purposes only and may not be an exact representation of the product.

Technical Specifications

Name	Bevie
Model	TMF-300-BG
Product	Electric Milk Frother Tumbler
Rated Power	300W
Rated Frequency	50Hz
Voltage	220V~
Product Dimension	W94mm x H190mm x D94mm
Net Weight	0.6 Kg
Gross Weight	0.7 Kg

What is included

1. Bevie x 1
2. Cleaning Brush x 1
3. Power Cord x 1
4. User Manual x 1

USING THE PRODUCT

Before The First Use

1. Remove all packing material.
2. Thoroughly clean the appliance as indicated in the **Cleaning & Maintenance** (Refer to Page 13).

Operating The Product

1. Connect to the power supply, and the beep will sound. After all the function lights flash once, they will enter the standby mode.
2. Press the **Function Button** to cycle through the functions. The device has 4 functions to choose from.
3. To confirm the function, leave it for 3 seconds and the device will start working automatically. Press the button again to cancel the selected function and return to standby mode.

Operating Instructions



1. **Milk Frothing and Heating:** Add milk to [Milk-Min] line. Heat (up to $55\pm 5^{\circ}\text{C}$) while frothing the milk. This process creates creamy milk froth.
Note: Ensure the milk level does not exceed the [Milk-Max] line to avoid overflow and potential hazards.



2. **Stirring Only:** Stir without heating. This mode is suitable for mixing drinks like instant beverage and can also be used for cold milk frothing. The operation time is 100 seconds.

Note: For stirring, ensure the liquid level does not exceed the [Water-Max] line to avoid overflow and potential hazards. For cold milk frothing, ensure the milk level does not exceed the [Milk-Max] line to avoid overflow and potential hazards.



3. **Water Boiling (100°C):** Add water to the [Water-Max] line. Boil water with the sip closure open to prevent pressure build-up and potential danger.

Note: Ensure the water level does not exceed the [Water-Max] line to avoid pressure buildup and potential danger.



4. **Keep Warm (45°C):** Heat up and maintain the liquid temperature at $45\pm 5^{\circ}\text{C}$. This function can operate for up to 6 hours.

CLEANING AND MAINTENANCE

- Do not immerse the appliance in water or any other liquids for cleaning.
- Always unplug the appliance and remove the power cord before cleaning.
- Do not unplug with wet hands to prevent electric shock.
- When cleaning, ensure the power port is covered.
- Avoid using harsh chemicals or steel wool to prevent damage.
- Before using the appliance again, thoroughly dry the power port and power cord.
- Heating water may cause scale formation and natural water stains. Light deposits can be wiped away with a soft cloth or sponge. For heavier deposits, use a commercially available descaling agent or mix a small amount of vinegar with water (ratio 1:2), boil it, and let the solution sit overnight. Rinse the appliance thoroughly with clean water and let it air dry. It will then be ready for use again.

ENVIRONMENT



Disposal Instructions

- Please ensure that this appliance is disposed of correctly at the end of its lifespan.
- This product shall not be disposed of with normal household waste.
- Follow your country's rules for the separate collection of electrical and electronic products.
- The material used to package this appliance is recyclable.

As a responsible company, we are committed to environmental sustainability.

Correct disposal helps prevent negative consequences for the environment and human health. Let's work together to protect our environment for generations to come.

CUSTOMER CARE

When in doubt, please feel free to reach out to us.

For Customer Care, please contact:

Contact: +65 9842 6322

Email: kith@casa.com.sg

For After-sales Service [Singapore], please contact:

Casa (S) Pte Ltd

15 Kian Teck Crescent, Singapore 628884

WhatsApp: +65 9747 8743

Fax: +65 6898 0510

Email: service@casa.com.sg

For After-sales Service [International], please contact:

Contact: +65 9842 6322

Email: kith@casa.com.sg

Instruction Manual

